

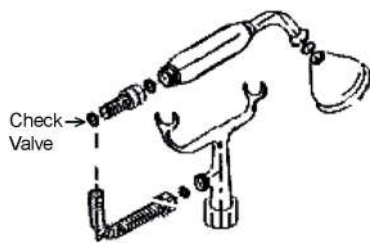
TUB WALL MOUNTED FAUCET WITH HAND SHOWER

Cat. No.

4025



W: 9"
D: 7-1/2"
H: 12-1/2"

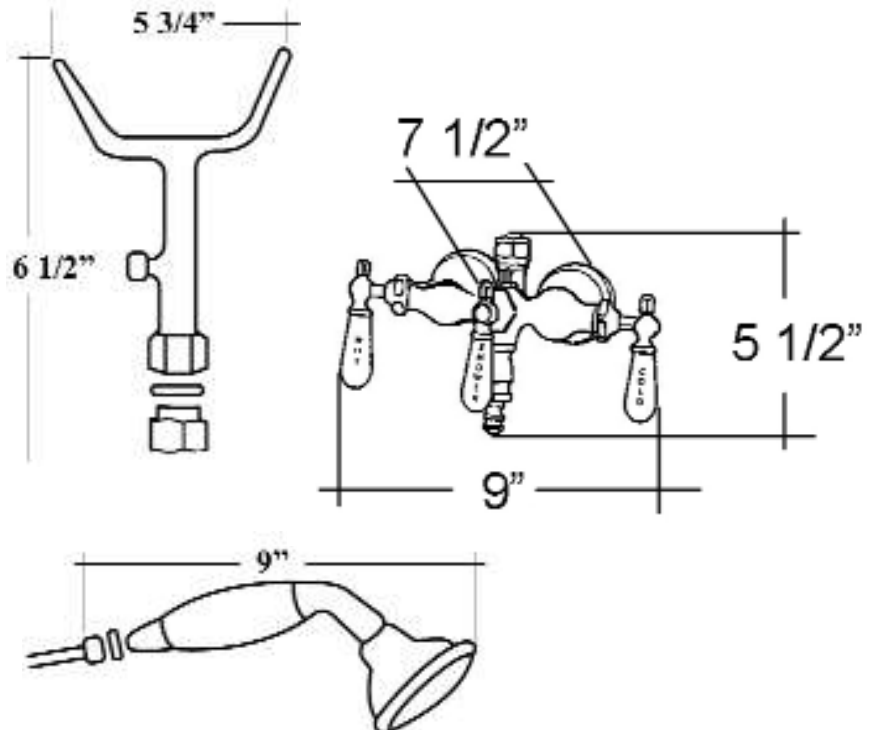


Features:

- ▶ Old style spigot
- ▶ Handheld shower with cradle and 59" Hose
- ▶ Backflow preventer on handshower
- ▶ 3-3/8" Centers on tub wall
- ▶ Centers can be adjusted out to 9" with use of part #4501 (Swivel arms)
- ▶ 1/4 Turn ceramic disc cartridges
- ▶ Flow rate is 3.8 GPM
- ▶ Flow rate for handshower is 1.8 GPM
- ▶ To be used with double offset bath supplies: part #5576
- ▶ Can be used with freestanding bath supplies part #4502-PL

Finishes:

CP Polished Chrome	PN Polished Nickel
BP Polished Brass	ORB Oil Rubbed Bronze
SN Brushed Nickel	



WARNING: This product can expose you to chemicals, including lead which is known to the State of California to cause cancer or birth defects or other reproductive harm, for more information, go to www.p65warnings.ca.gov

Dimensions are nominal and may vary. Dimensions and specifications subject to change without notice.

07/23/2018

P 847-244-1234 | www.barclayproducts.com